



LARS

product code	CC0224CWQ06
product description	LARS Chair black wood quilted fabric green Chair upholstered in cowboy fabric with padded rear part. Feet in solid lacquered wood.

product sizes					
height x width x depth (cm)	86	x	48	x	56
product weight (Kg)	5,9				
seat height (cm)	47				
seat depth (cm)	39				
armrest height (cm)					

technical drawings

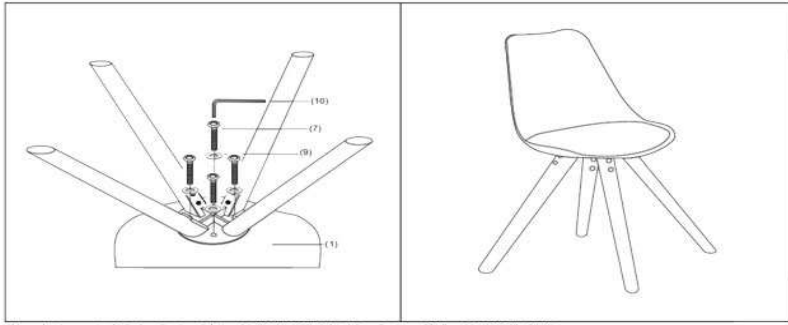
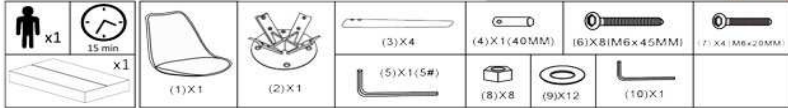


product features	
use (domestic/office)	Domestic
appliance (inner/outer)	Inner
stackable (yes/no)	No
adjustable height (yes/no)	No
foldable (yes/no)	No
swivel (yes/no)	No
max. load (Kg)	130

seat material	Polypropylene and foam (thickness: 1,5 cm)
seat finishing	Fabric (100% polyester)
seat density foam (kg/m3)	30
seat detachable (yes/no)	No
seat grammage (g/m2)	

backrest material	Polypropylene and foam (thickness: 1,5 cm)
backrest finishing	Fabric (100% polyester)
backrest density foam (kg/m3)	30
backrest detachable (yes/no)	No
backrest grammage (g/m2)	
legs material	Beech wood (Fagus Sylvatica)
legs finishing	Painted
feet protection (yes/no)	Yes
adjustable feet (yes/no)	No
armrest (yes/no)	No
armrest material	
armrest finishing	
armrest density foam (kg/m3)	
armrest detachable (yes/no)	No
armrest grammage (g/m2)	
RAL Specifications	RAL 6033
castors information	
footrest included	No
size and shape variation (yes/no)	No
color variation (yes/no)	No
other details	
general warnings	Do not place near direct sources of heat. Keep away from direct solar light. Do not use abrasive products like acetones, bleaches, solvents, etc.
specific use and care instructions	Clean with a dry cloth
years of guarantee	2
made according to	
good to know	Wood origin country: Denmark
assembly	
assembly required (yes/no)	Yes
difficulty of assembly (hard/medium/easy)	Easy
assembly time (min)	15
people required	1
assembly suggestions	Join the legs to the frame and then screw them to the seat

C632 / CC0224



This product is property of Julia Grup Furniture Solutions S.L. (B-17616277) - Pol. Ind. Bosc d'en Cuca - C/Tallers, 14 - 17410 Slls - SPAIN

packaging

units per lot	4
cbm (m3) / gross weight (Kg)	0,0505 / 7
nº of boxes	1

box 1	1
description	LARS Chair black wood quilted fabric green
description box	FULL ITEM
height x width x depth (cm)	50 x 65 x 62
cbm (m3) / gross weight (Kg) / net weight (Kg)	0,0505 / 7 / 5,9

box 2	
description	
description box	
height x width x depth (cm)	x x
cbm (m3) / gross weight (Kg) / net weight (Kg)	/ /