



Name: LUA 1 LUZ

Design: Joana Bover / 2002

Typology: Pendant lamp

Environment: Indoor

Technical description:

Pendant lamp with iron structure releasing diffused light through classic cotton shade or cream and white translucent hand wrapped polyester blend ribbon. Available in various finishes: black iron, satin nickel, satin nickel with dark leather trim or satin nickel with caramel leather. The upper diffuser is included with the fixture.



Lamps description

⚡ Earthing: compulsory

⚠ Ready for mounting on normally flammable surface

💡 2 x 70 W Classic A ECO E-27

💡 2 x 18 W E-27

Voltage: 230V~50Hz

📦 1 Box 67 x 67 x 27 cm

Vol.: 0,1212 m³

Weight: 5 kg

Certifications:  

Ref **Finishings**

4122904 Black iron

4122905 Satin nickel

4122960 Nickel dark leather

4122961 Nickel caramel leather

Lampshade 47 x 21 x 40 cm

P-160 C Cotton

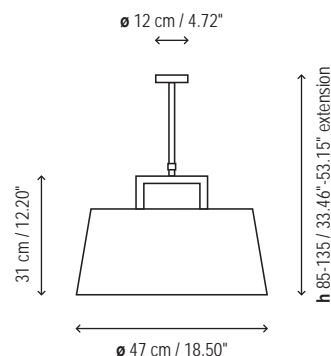
P-183 C Cream translucent ribbon

P-184 C White translucent ribbon

The shade includes upper diffuser

Customizable

Measures



Project information

Project name:

Approved by:

Fixture type:

Date:

Location:

Prepared by:

Comments:

Prepared for:

Photometrics

LUA 2 LUCES

