



Name: LEA

Design: Alex Fernández Camps / 2009

Typology: Wall lamp

Environment: Indoor

Technical description:

Wall light with aluminum structure coated in white finishing, with a built-in polycarbonate diffuser.

With a minimum of 30 pieces, special colors can be ordered. Upper shelf sustains up to 8.8 pounds of weight. Available in larger sizes. Only fixture finishing is customizable.



Lamps description

 Earthing: compulsory

 Ready for mounting on normally flammable surface

 1 x 18 W G24 q-2

Voltage: 230V-50Hz

 1 Box 30 x 10 x 35 cm

Vol.: 0,0105 m³

Weight: 2 kg

Certifications:  
Intertek
4006618

Ref

Finishings

0021601

white

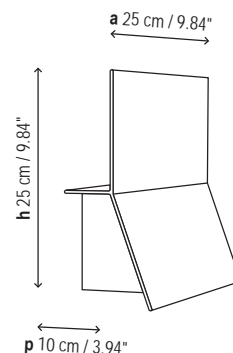
Polycarbonate diffuser included

Upper shelf bears until 4 kg

Special colors: RAL number to be indicated.
Minimum quantity: 30 pieces.

Not Customizable

Measures



Project information

Project name:

Approved by:

Fixture type:

Date:

Location:

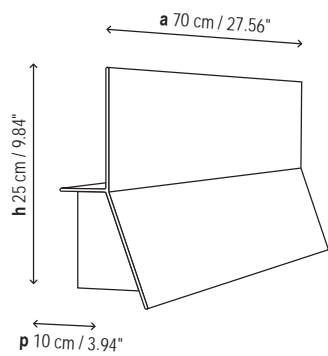
Prepared by:

Comments:

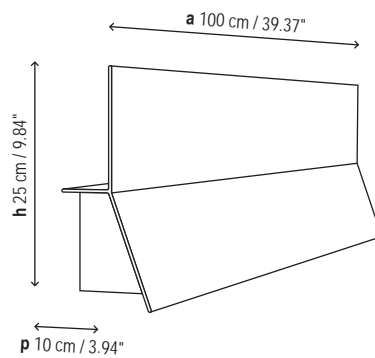
Prepared for:

Photometrics

LEA - 01



LEA - 02



LEA - 03

