



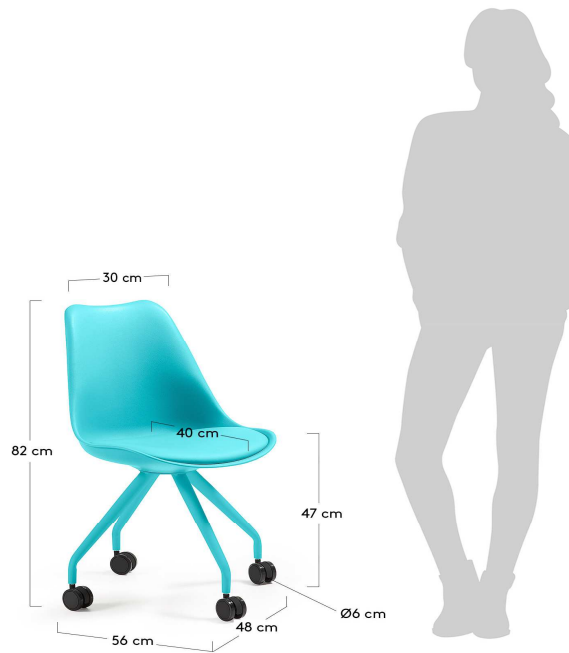
LARS_OFFICE

product code	C975U26
product description	LARS Chair leg epoxy seat plastic blue Office chair in polypropylene with synthetic leather seat. Legs in powder coated painting. Swivel soft wheels.

product sizes

height x width x depth (cm)	82	x	48	x	56
product weight (Kg)	5,8				
seat height (cm)	47				
seat depth (cm)	40				
armrest height (cm)					

technical drawings



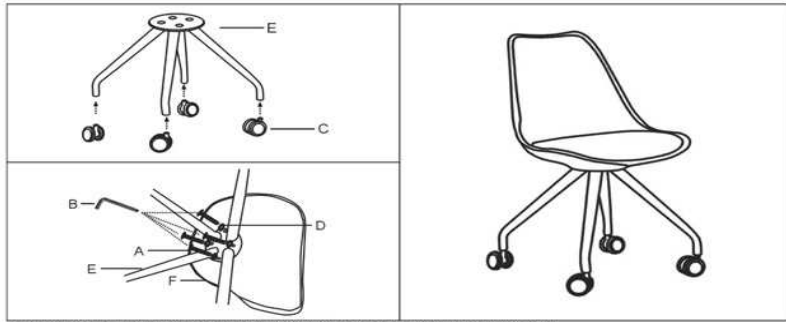
product features

use (domestic/office)	Domestic
applicance (inner/outer)	Inner
stackable (yes/no)	No
adjustable height (yes/no)	No
foldable (yes/no)	No
swivel (yes/no)	No
max. load (Kg)	120

seat material	Polypropylene and foam
seat finishing	PU
seat density foam (kg/m3)	30
seat detachable (yes/no)	No
seat grammage (g/m2)	490

backrest material	Polypropylene
backrest finishing	
backrest density foam (kg/m3)	
backrest detachable (yes/no)	No
backrest grammage (g/m2)	
legs material	Steel
legs finishing	Painted
feet protection (yes/no)	No
adjustable feet (yes/no)	No
armrest (yes/no)	No
armrest material	
armrest finishing	
armrest density foam (kg/m3)	
armrest detachable (yes/no)	No
armrest grammage (g/m2)	
RAL Specifications	PANTONE 7710C
castors information	Castors assembled by pressure. Suitable for parquet floor
footrest included	No
size and shape variation (yes/no)	No
color variation (yes/no)	No
other details	
general warnings	Do not place near direct sources of heat. Keep away from direct solar light. Do not use abrasive products like acetones, bleaches, solvents, etc.
specific use and care instructions	Clean with a damp cloth and dry immediately
years of guarantee	2
made according to	Manufactured according to EN-12520:2015 for household use seats.
good to know	
assembly	
assembly required (yes/no)	Yes
difficulty of assembly (hard/medium/easy)	Easy
assembly time (min)	15
people required	1
assembly suggestions	Put the seat upside down and screw the frame

C975



This product is property of Julia Grup Furniture Solutions S.L. (B-17616277) - Pol. Ind. Bosc d'en Cuca - C/Tallers, 14 - 17410 Sils - SPAIN

packaging

units per lot	2
cbm (m3) / gross weight (Kg)	0,0825 / 7,4
nº of boxes	1

box 1	1
description	LARS Chair leg epoxy seat plastic blue
description box	FULL ITEM
height x width x depth (cm)	59 x 56 x 50
cbm (m3) / gross weight (Kg) / net weight (Kg)	0,0825 / 7,4 / 5,8

box 2	
description	
description box	
height x width x depth (cm)	x x
cbm (m3) / gross weight (Kg) / net weight (Kg)	/ /