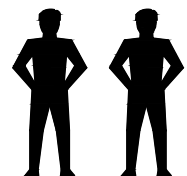


ASSEMBLING INSTRUCTIONS

TEMPO SOFA



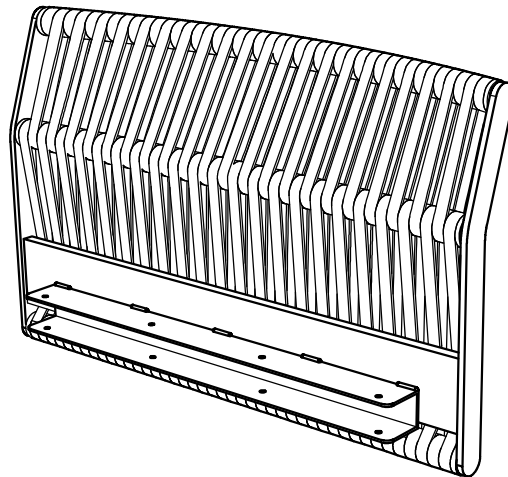
- Identify all the components before start assembling
- Use a clean and even surface for assembly
- We recommend using carton paper under the furniture during assembly as a pad to avoid damages on surface of parts
- Ensure no fittings and components are disposed when discarding



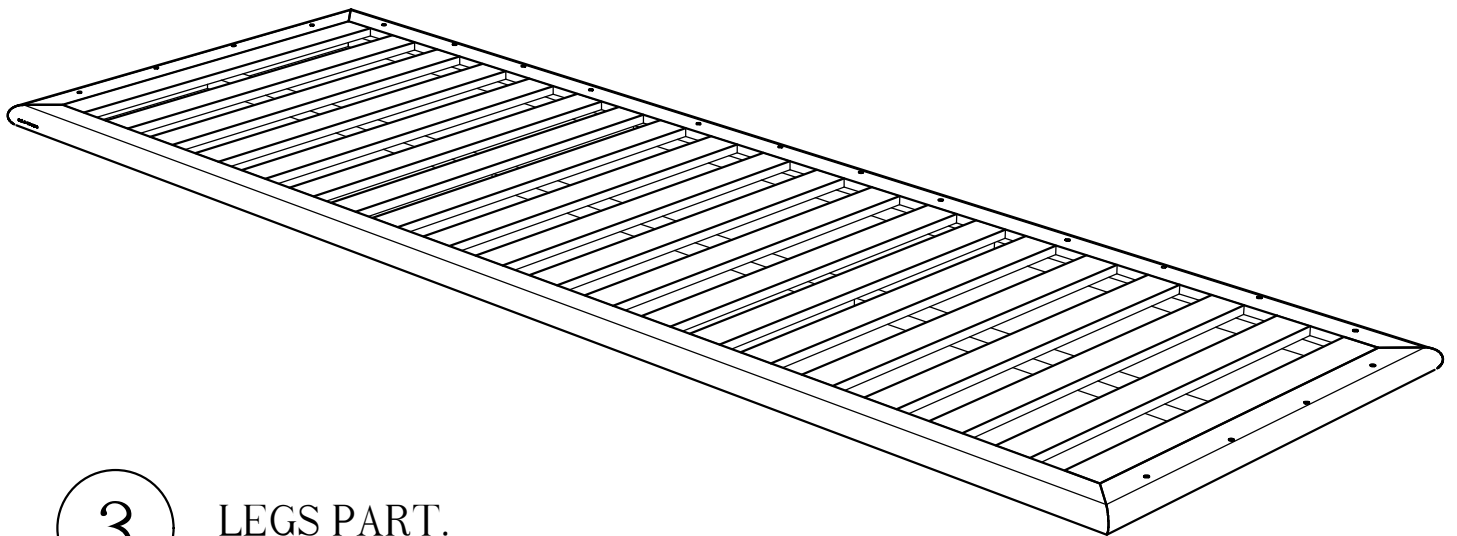
TWO PEOPLE REQUIRED

PART INCLUDED

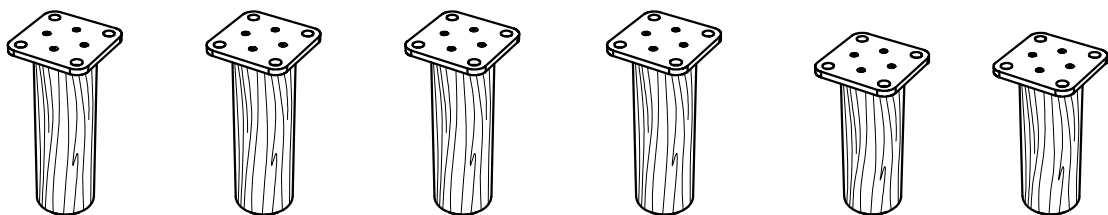
- 1 ARM / BACK PART (5 PCS)



- 2 SEAT PART (1 PC)

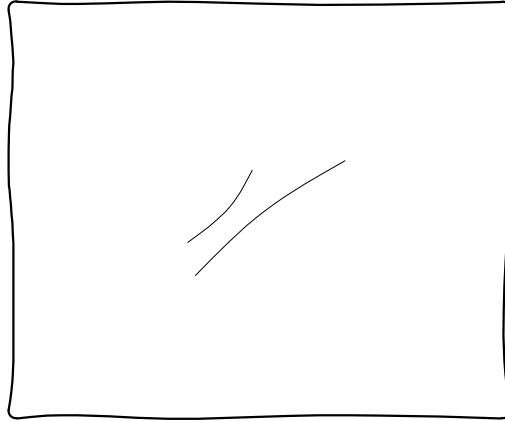


- 3 LEGS PART.
Side legs - 4pcs
Middle legs - 2pcs

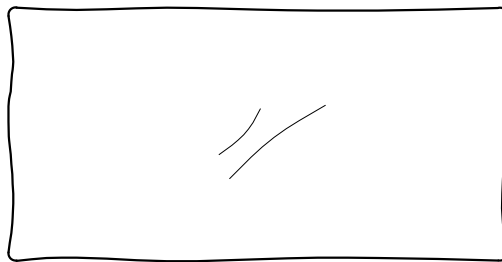


PART INCLUDED

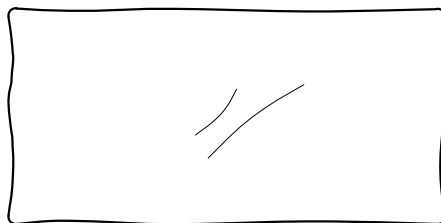
- 4 SEAT CUSHION PART (3 PCS)



- 5 BACK PILLOW (3 PCS)

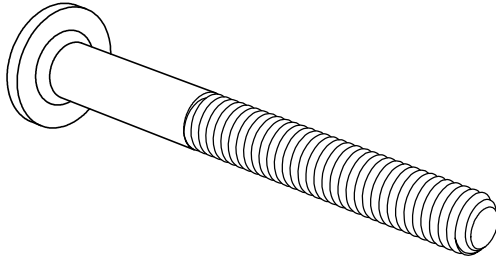


- 6 ARMREST PILLOW (2 PCS)

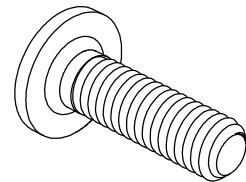


HARDWARE INCLUDED

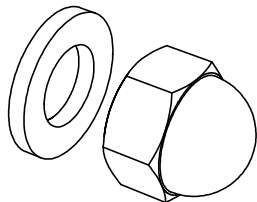
A BOLT JCBC M6x55 (20PCS)



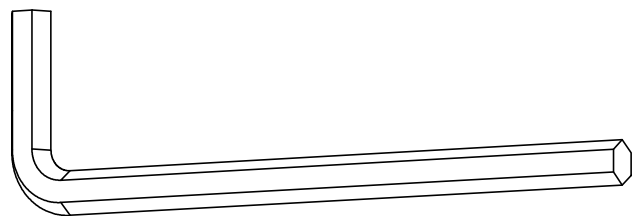
B BOLT JCBC M6x20 (24PCS)



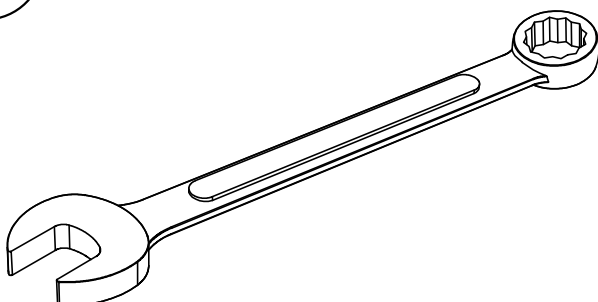
C DOME NUT & WASHER (20PCS)



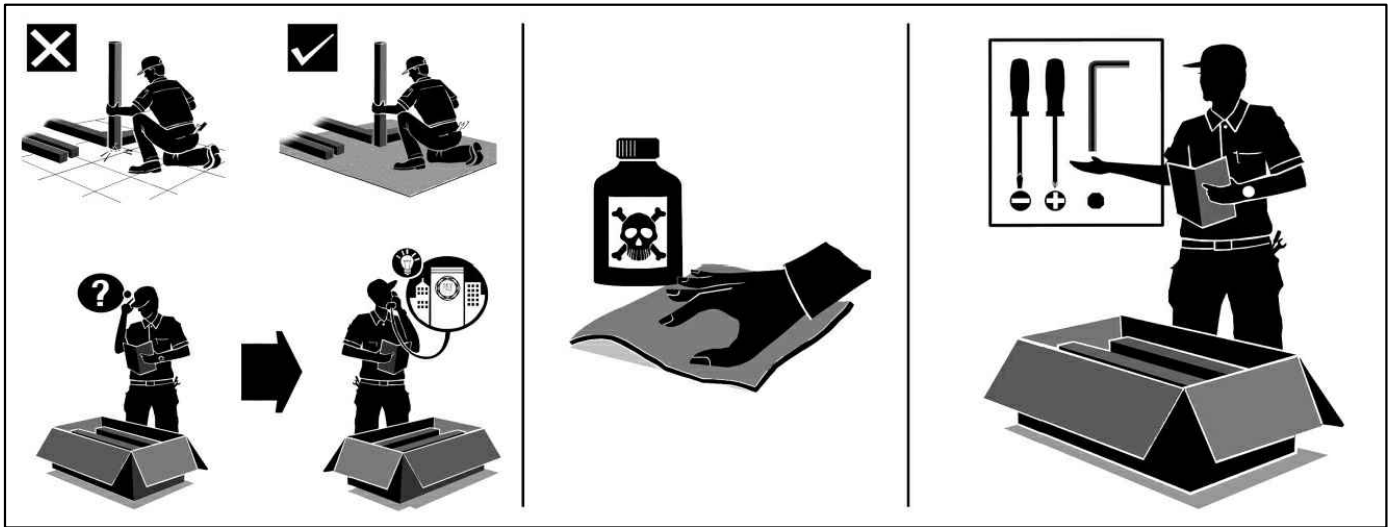
D ALLEN KEY 4 (1PC)



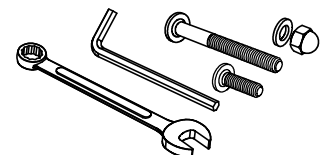
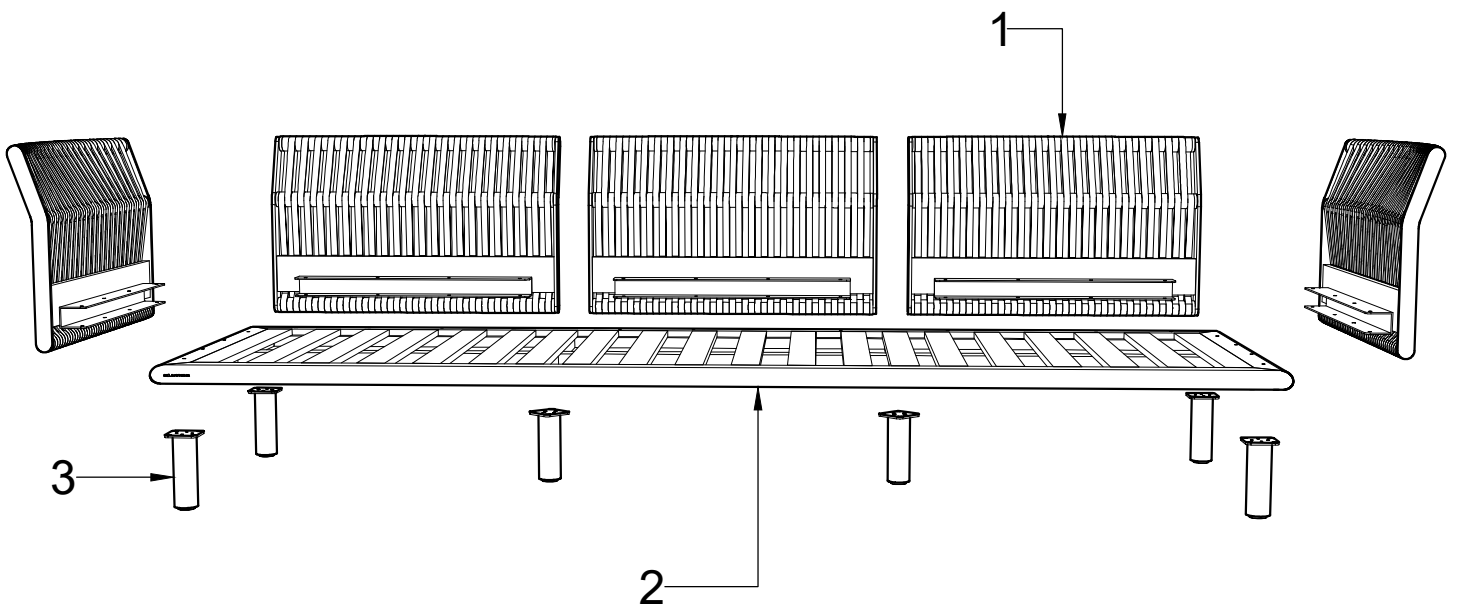
E WRENCH KEY NO 10 (1PC)



ASSEMBLY INSTRUCTIONS



STEP 1

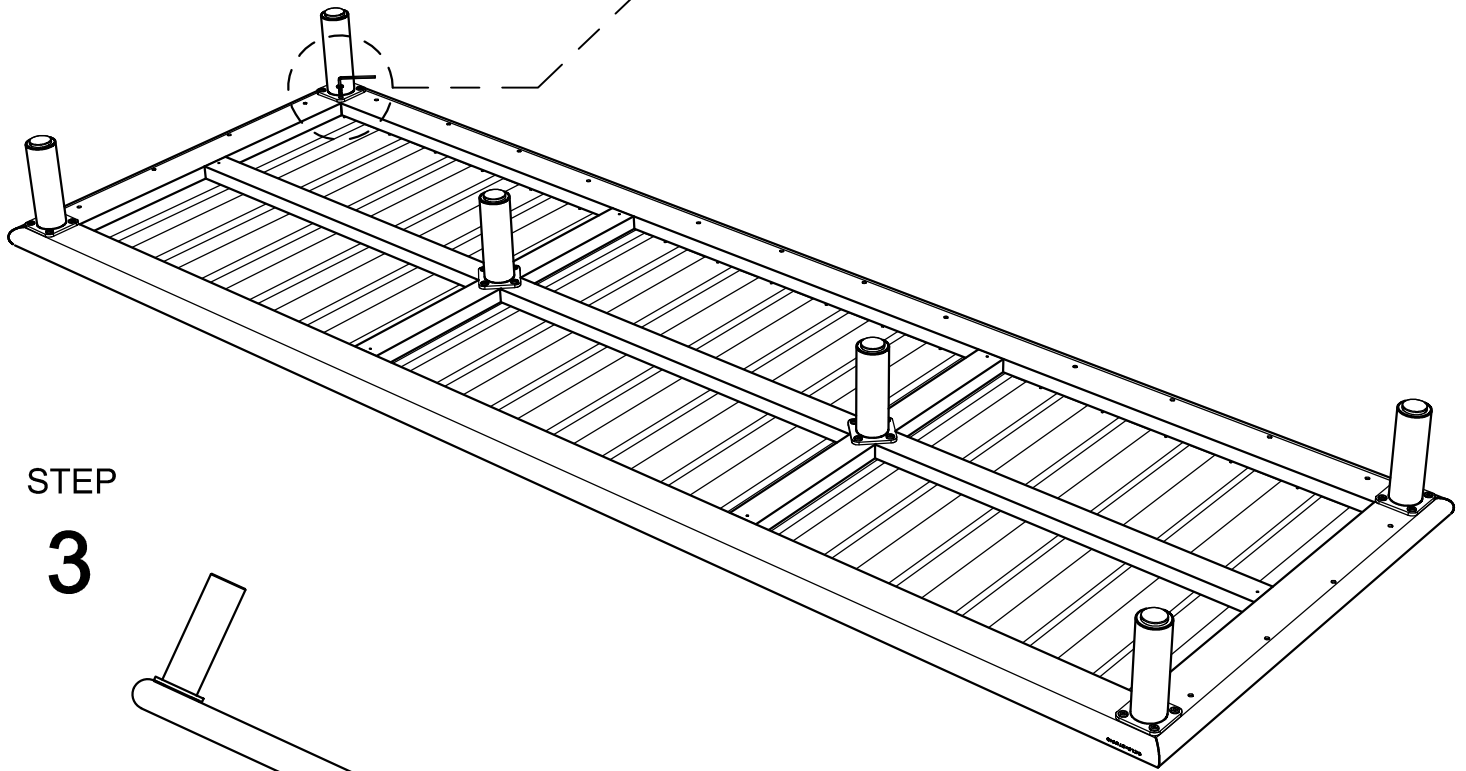
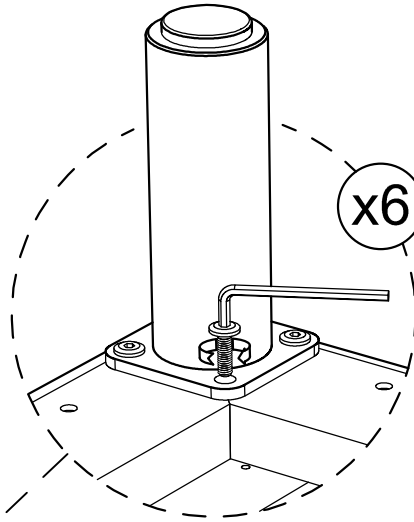


HARDWARE !

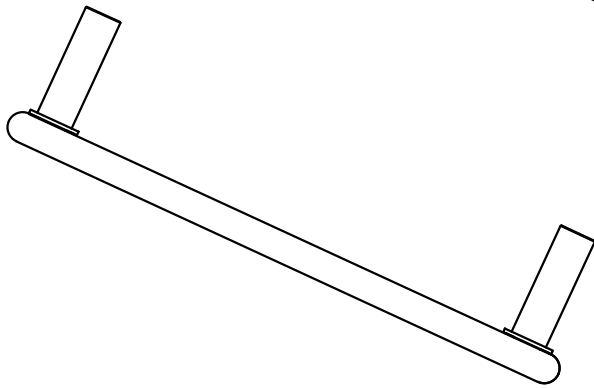
– Identify all the components before start assembling.

1. Fix and tighten all bolts with allen key

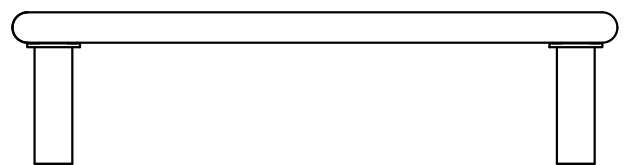
STEP
2



STEP
3



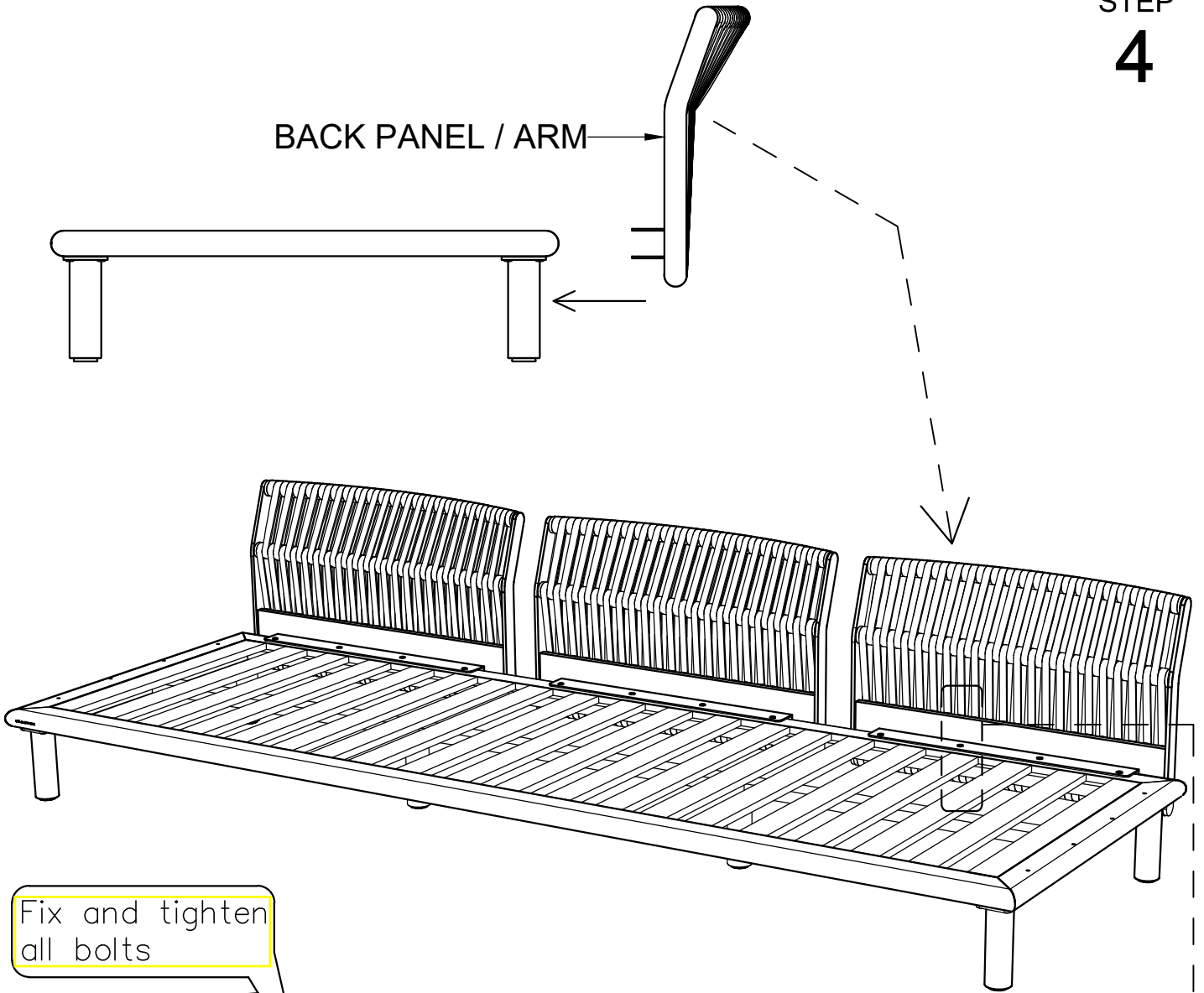
LIFT UP



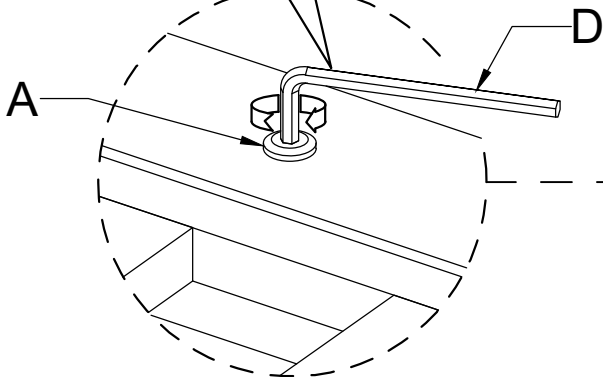
- We recommend using carton paper under the furniture during assembly as a pad to avoid damages on surface of parts.
- Attaching legs to the seat part.

STEP
4

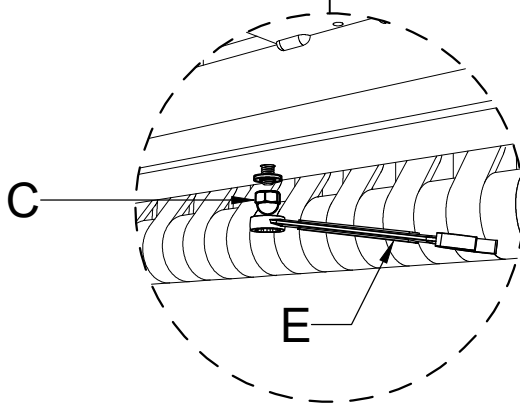
BACK PANEL / ARM



Fix and tighten
all bolts



Top of view

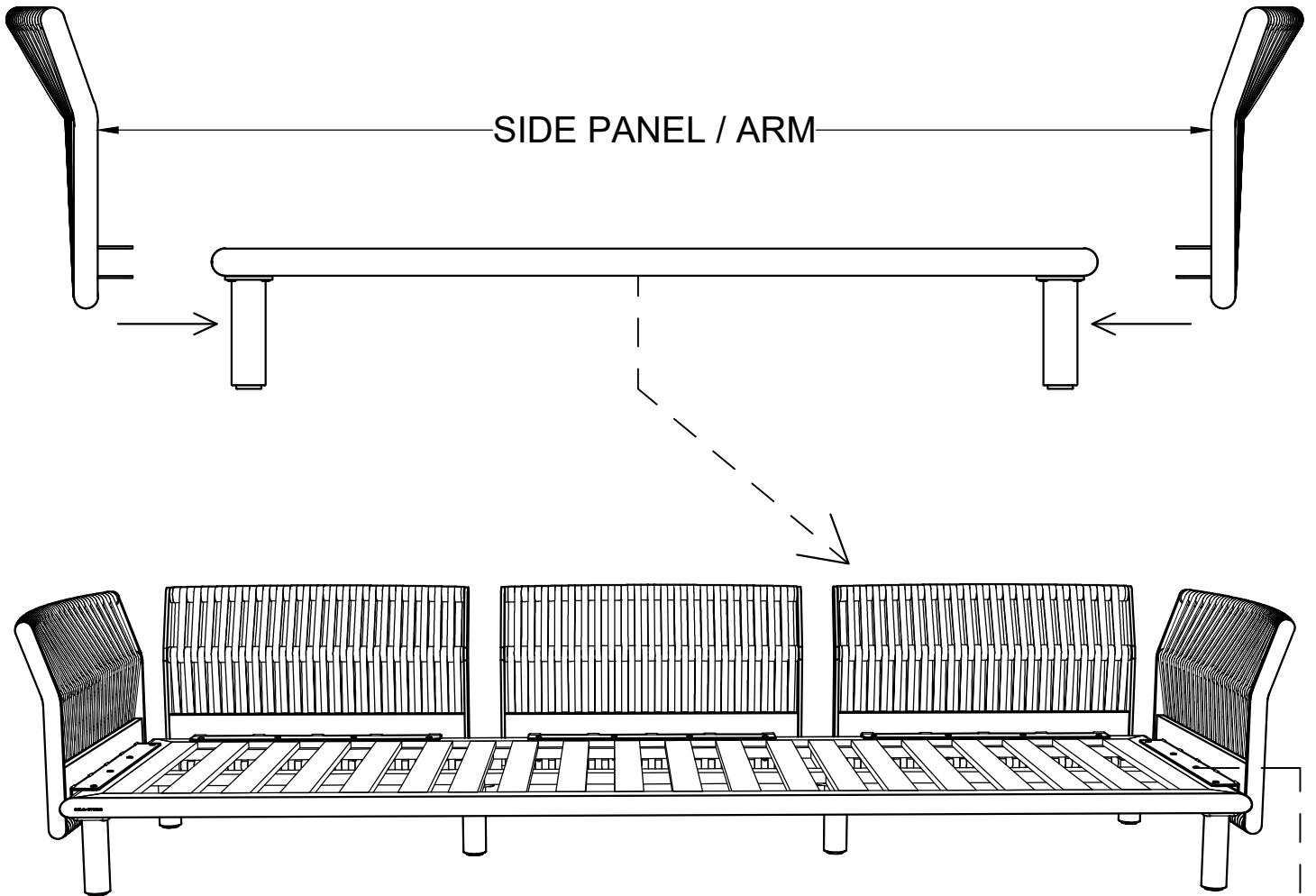


Bottom of view

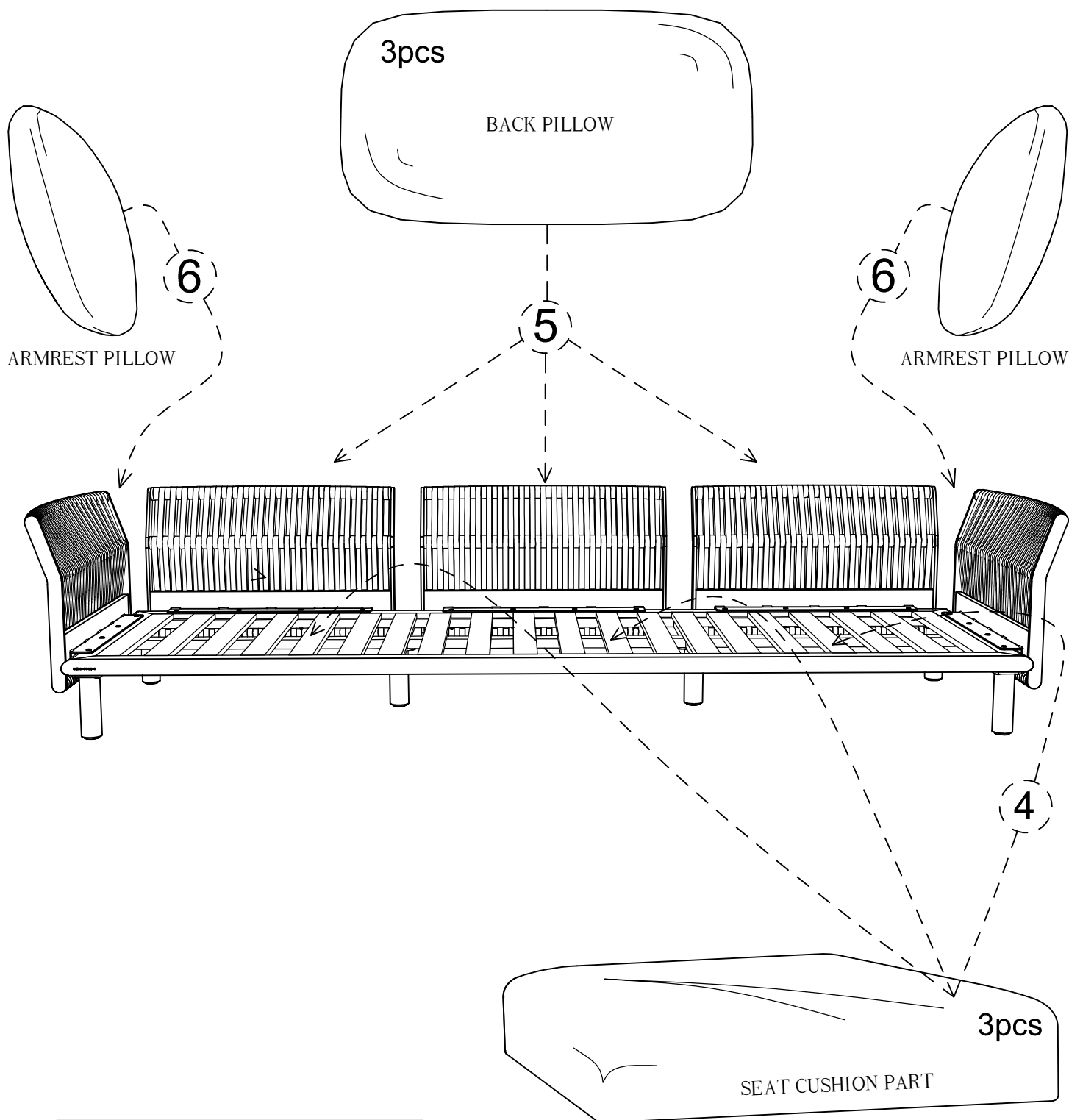
Before tightening,
Install the nut by hand.
then use wrench key to
tighten nut

- Attaching armrest part to the base

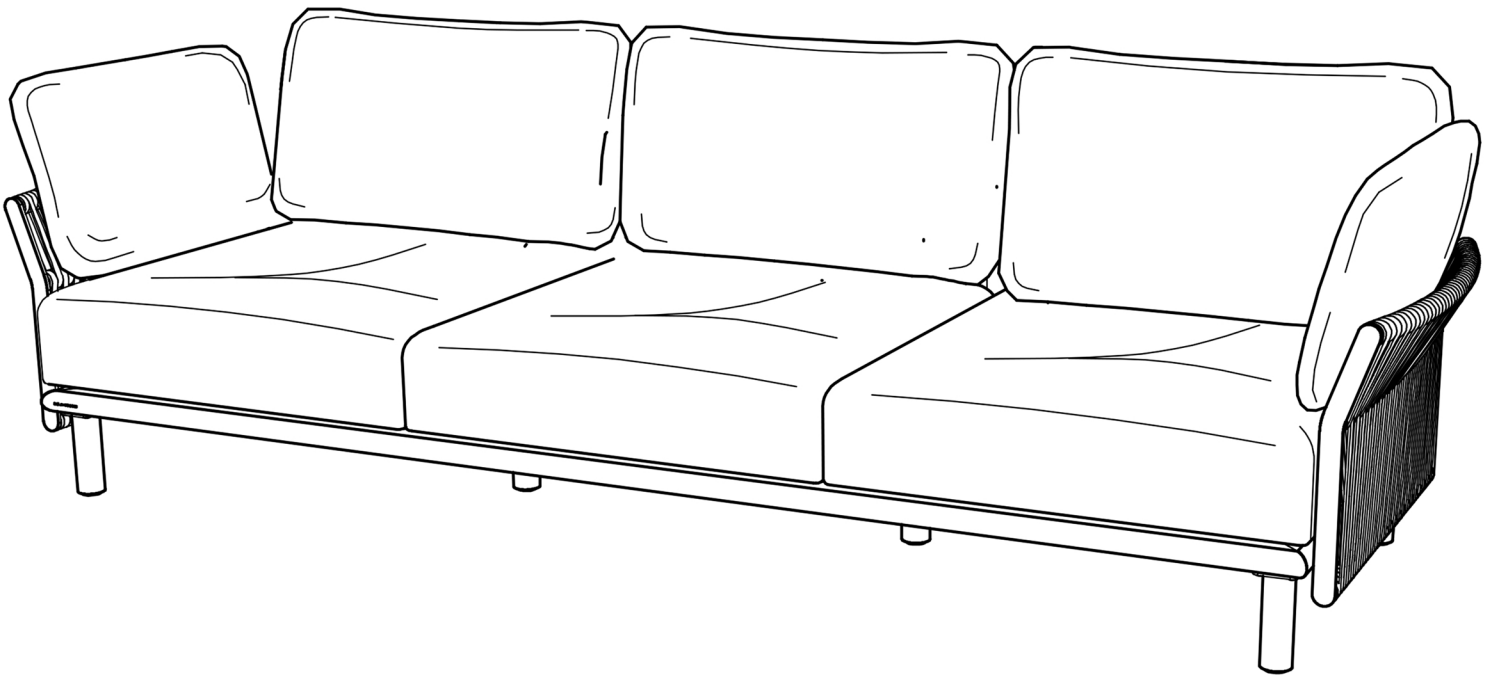
STEP
5



STEP
6



Follow each number for instructions on placing cushions and pillows



TEMPO SOFA